

# PRE-PVRack

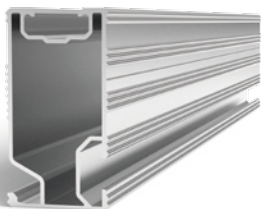
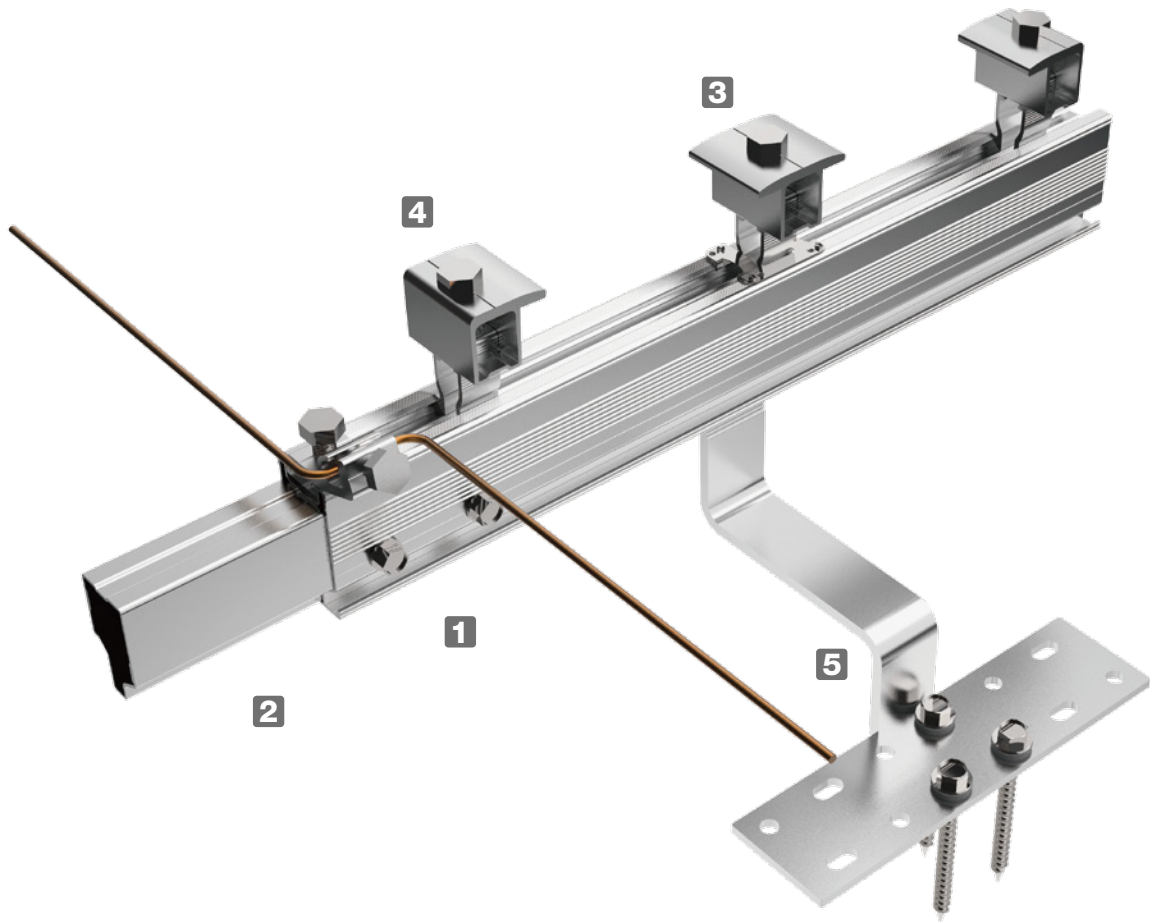
Solar Panel Roof Mounting Solution  
For Spanish tile roof



10YEARS  
WARRANTY

✉ [info@enerack.com](mailto:info@enerack.com)

New & Improved: The Professionals' Choice With Superior Aesthetics



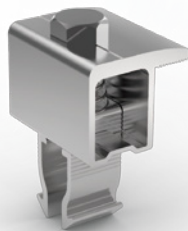
**1** PRE-R55



**2** PRE-SFR-01



**3** PRE-EIC



**4** PRE-AEC

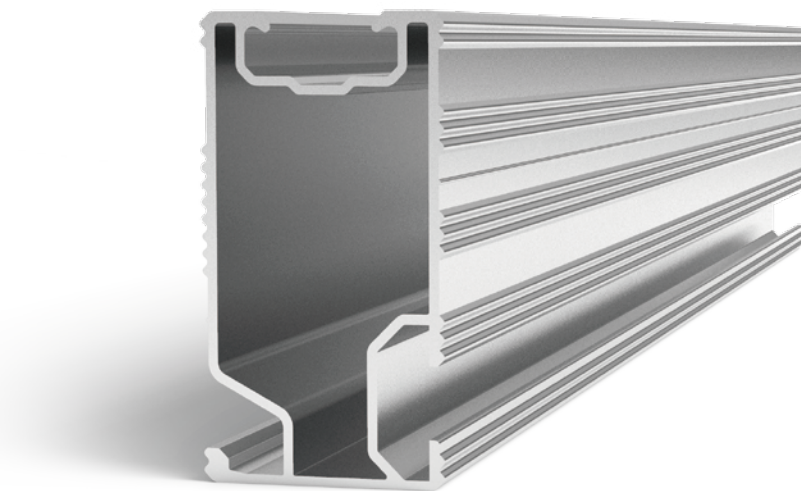


**5** PRE-TRH-T01

New & Improved: The Professionals' Choice With Superior Aesthetics

# PRE Rail R55

## CODE: PRE-R55



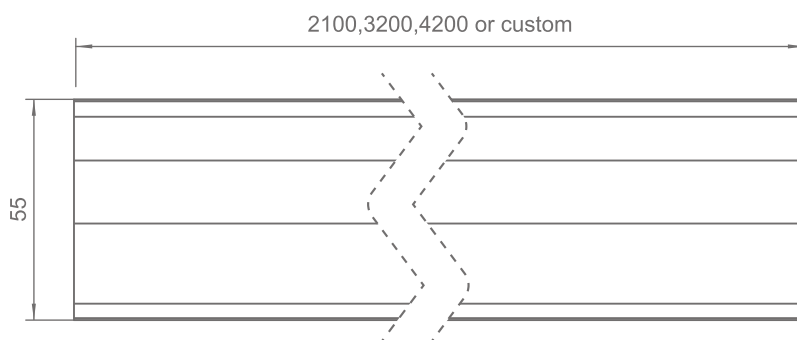
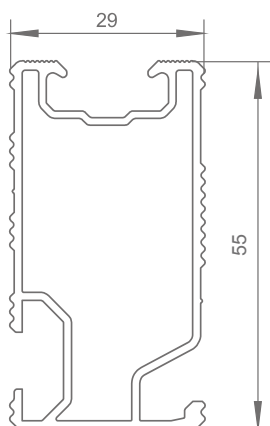
### Mechanical Properties

Material	Aluminum 6005 T5
Finish	Natural Anodized
Ultimate Tensile Strength	260Mpa
Yield Strength	240MPa

### Section Properties

Section area moment	$S3=2319.6\text{mm}^3$ $S2=1358.31\text{mm}^3$
Cross section modulus	$W3(\text{MIN})=3571\text{mm}^4$ $W2(\text{MIN})=2200.48\text{mm}^4$

### Dimensions in mm



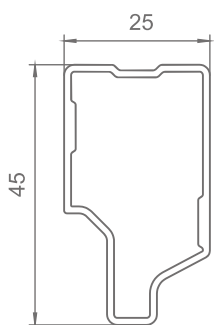
New & Improved: The Professionals' Choice With Superior Aesthetics

## PRE Rail R55 Splice CODE: PRE-SFR-01



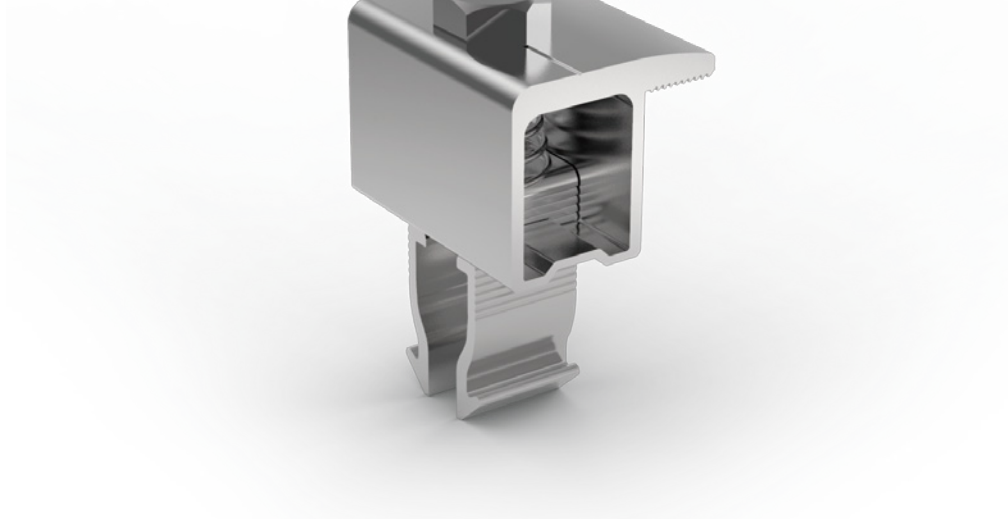
Item No.	description	Material
1	Self drilling screw 6.3 x 19mm,4 pcs	SUS410
2	Rail splice	Aluminum 6005 T5

### Dimensions in mm



New & Improved: The Professionals' Choice With Superior Aesthetics

## PRE End Clamp CODE: PRE-AEC

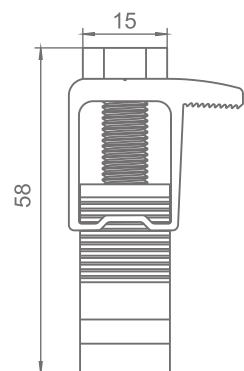
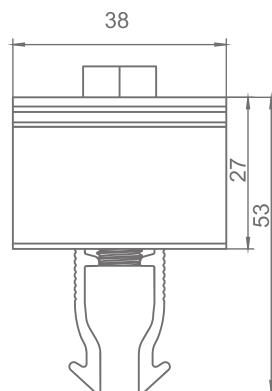
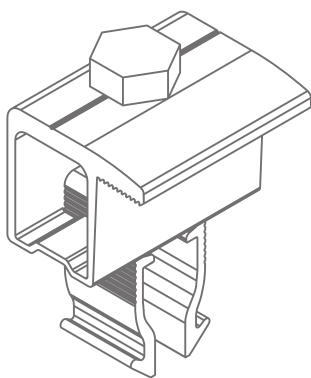


Item No.	description	Material
1	Hex bolt	Stainless steel 304
2	End clamp	Aluminum 6005 T5, anodized
3	Clamp spring	Stainless steel 304
4	Rail slot nut	Aluminum 6005 T5, anodized

### Technical data

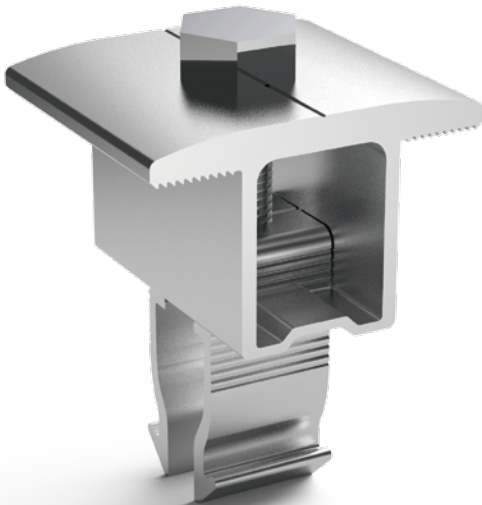
Ultimate tensile strength	Avg 8.64KN
Scope of application	Used with PRE-R55 rail only
Compatible module	Framed module
Compatible module frame size	30mm-45mm

### Dimensions in mm

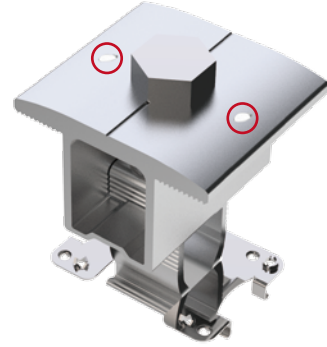


# PRE Mid Clamp

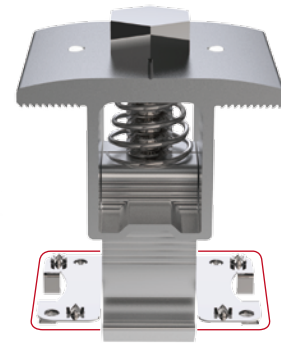
## CODE: PRE-EIC



### Alternative option



1: integrated with grounding pins

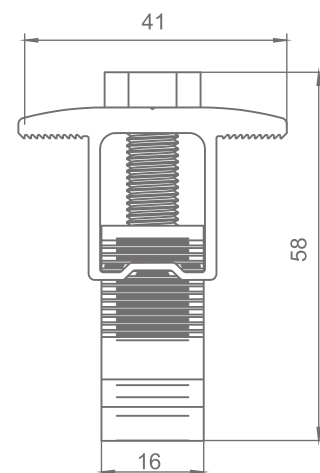


2: furnished with grounding clip

Item No.	description	Material
1	Hex bolt	Stainless steel 304
2	Mid clamp	Aluminum 6005 T5, anodized
3	Clamp spring	Stainless steel 304
4	Rail slot nut	Aluminum 6005 T5, anodized

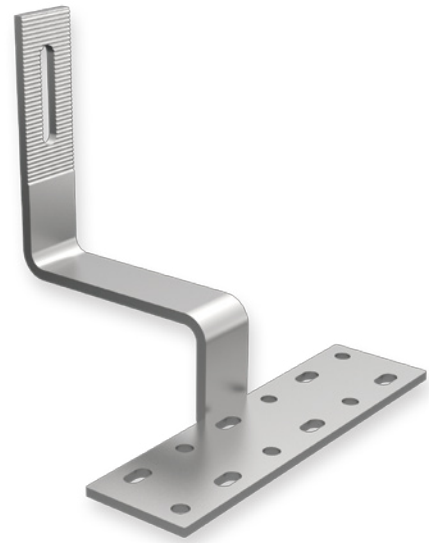
Technical data	
Ultimate tensile strength	Avg 8.64KN
Scope of application	Used with PRE-R55 rail only
Compatible module	Framed module
Compatible module frame size	30mm-45mm

### Dimensions in mm



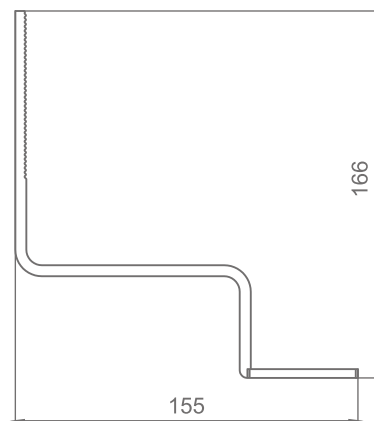
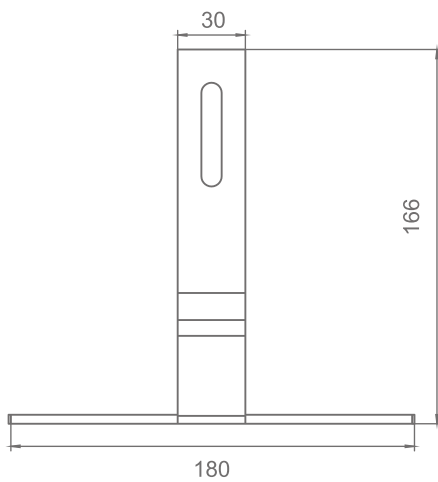
# Tile Hook

## CODE: PRE-TRH-T01



Item No.	description	Material
1	Bolt	Stainless steel 304
2	Flange nut	Stainless steel 304
3	Tile hook	Stainless steel 304
4	Wooden screw ,3pcs	Carbon steel
Scope of application		Spanish tile roof
Fastening type/roof fixture		Attached with wooden screw for a timber substructures,parallel to raised crests

### Dimensions in mm





Xiamen Enerack Technology Co., Ltd.

Tel: +86 - 592-5669285

Fax: +86 - 592-5669235

Mail: [info@enerack.com](mailto:info@enerack.com)

Web: [www.enerack.com](http://www.enerack.com)

Add: 203A, Norinco Business Plaza, NO.6

Huli Avenue, Huli District, Xiamen, China